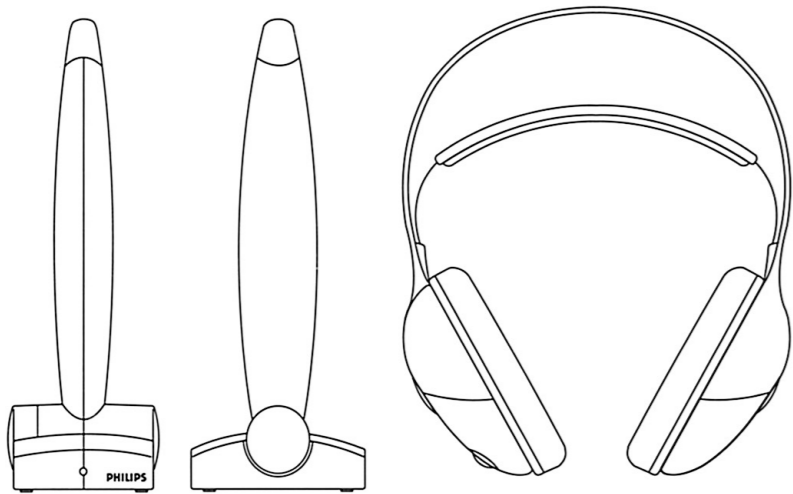


PHILIPS

Instructions for use
 Mode d'emploi
 Bedienungsanleitung
 Istruzioni
 Gebruiksaanwijzing
 Instrucciones
 Modo de emprego
 Bruksanvisning
 Käyttöohje
 使用説明書



PHILIPS
SBC HC620

Explanation of Controls

SBC HC620

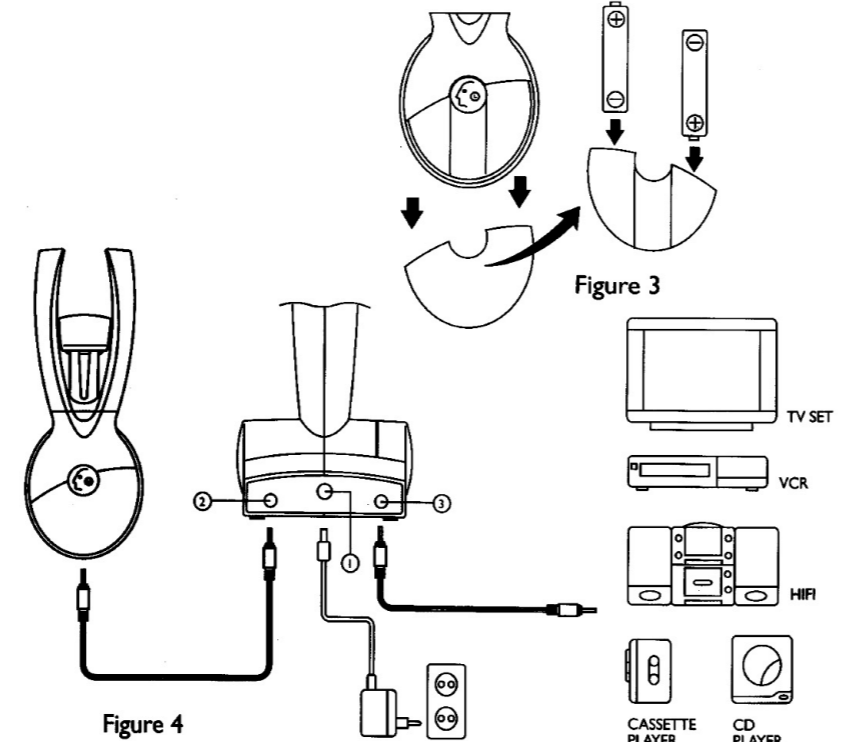
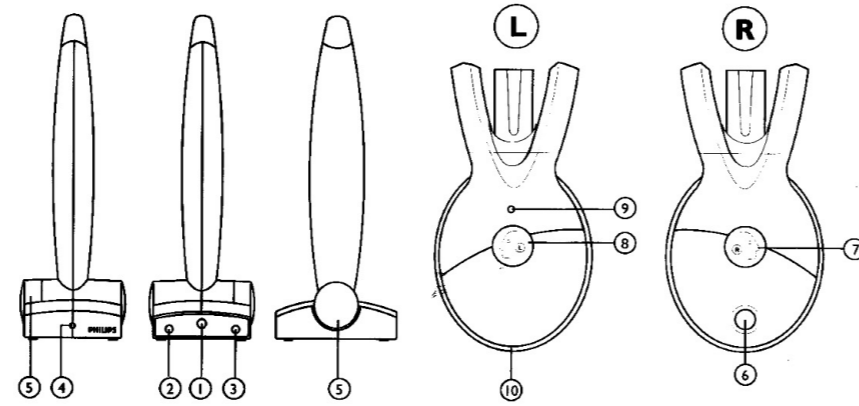


Figure 4

Figure 1

Figure 2

English

SBC HC620

Instruction for use

1. Introduction

Congratulations! You have just bought a most sophisticated RF/FM wireless stereo sound system. This system uses the latest RF/FM wireless technology, which gives you complete freedom of movement while enjoying your own favorite music. No more inconvenience from cables or headphone wires! To ensure you get the best performance of your RF/FM stereo sound system, please read this document carefully.

2. Features

- **Wireless transmission** - the FM transmitter transmits the stereo audio signal from your audio or video source to your FM headphone (receiver) without wires.
- **Wide transmission range** - the FM headphone (receiver) receives signals from up to 100 meter away from the FM transmitter.
- **High-frequency radio system** - the FM headphone set uses a high radio frequency as the signal carrier, ensuring a very clear, sharp reception.
- **Automatic Level Control (ALC)** - prevents overload of transmitter over a wide level of input signal.
- **Mute function** - suppresses excessive noise when there is no input signal.
- **Automatic power on/off** - the FM transmitter automatically switches on and starts transmitting when signals are sensed at the input (indicated by a green LED). When there are no signals at the input, the FM transmitter automatically switches off.
- **Rechargeable system** - the FM headphone set incorporates recharge facilities for recharging the batteries.
- **No space limitation** - the FM headphone (receiver) is able to receive signals from the transmitter, even through barriers such as doors, walls and glasses.
- **Multiple headphones with one transmitter** - additional number of headphones and/or wireless speakers can be used with a single transmitter.

3. Components included

In this FM headphone set the following components are included :

- FM transmitter SBC HC612
- FM receiver (headphone) SBC HC615
- AC/DC adapter 18 Volt / 200 mA, SBC 6658
- HiFi audio cable
- Recharge cable
- Rechargeable batteries SBC 6445
- 3.5 mm to 6.3 mm stereo adapter

4. Explanation of Controls

Transmitter

1. DC input connector to power the FM transmitter
2. Recharge power output, to charge the batteries of the FM headphone
3. Input 3.5 mm stereo connector, for input of audio signal
4. Power On/Off indication
5. Tuning control knob

Receiver

6. Trackball volume control
7. Tuning control
8. Power On/Off switch
9. Power On/Off and charge indication
10. Charge input

5. Installation

- Please ensure that the rated voltage of the AC/DC adapter is the same as the mains power supply. Connect the AC/DC adapter to the mains power supply outlet.

English

SBC HC620

- Insert the DC connector of the AC/DC adapter into the 18 Volt DC input connector located on the rear of FM transmitter, as shown in Figure 1.
- Connect the audio source (CD player, TV, HiFi) to the RF/FM transmitter with the HiFi audio cable as shown in Figure 2.
- Insert the rechargeable batteries supplied (2 x R6, AA) into the battery compartment as shown in Figure 3. Ensure that the polarity is correct.

Note : Please ensure that the batteries are fully charged (for 16 hours) before using the RF/FM headphone for the first time. This will guarantee a longer operating lifetime of the batteries.

6. Operation

- Switch on the RF/FM headphone.
- Set the volume control on the RF/FM headphone to maximum.
- Apply an audio signal to the transmitter (using an audio source such as CD player, TV, or HiFi). The RF/FM transmitter will switch on automatically.
- Tune the tuning control on the headphone until signal (audio sound) is at its clearest.
- Adjust the volume of the audio source to the highest acceptable undistorted level.
- While listening, adjust the volume with the control on the headphone to an acceptable level.

7. Recharging

Note : Please ensure that the batteries are fully charged (for 16 hours) before using the RF/FM headphone for the first time. This will guarantee a longer operating lifetime of the batteries.

- 7.1 When the power indicator LED on the RF/FM headphone starts blinking, it indicates that the rechargeable batteries are running low. Recharging the batteries is then required.
- 7.2 Ensure that the power of the FM headphone is in the Off position before charging.
- 7.3 Connect the recharge input on the headphone with charge output on the transmitter via the recharge cable as shown in Figure 4.
- 7.4 The power indicator LED on the headphone will light red to indicate that the batteries are being charged.
- 7.5 When the batteries are fully charged, the power indicator LED on the RF/FM headphone will start blinking.

Note : During recharging of the batteries, the transmitter's LED is red. If there is an audio input however, the colour of this LED changes to orange.

8. Specifications

System	: Radio Frequency (RF)
Carrier frequency	: Tunable 433.2 to 434.7 MHz
Modulation	: Frequency Modulation (FM)
Radiated output power	: 1 m Watt
Effective transmission range	: 60-100 meter, omni directional (360°)
Input level	: 150 m Volt
Power supply - transmitter	: 18 Volt / 200 mA DC
Power supply - receiver	: 2x R6 (AA) batteries (NiCd)
Frequency range (headphone)	: 20 ~21,000 Hz
Signal / Noise ratio	: >60 dB
Distortion	: <0.5% THD
Channel separation	: >30 dB